

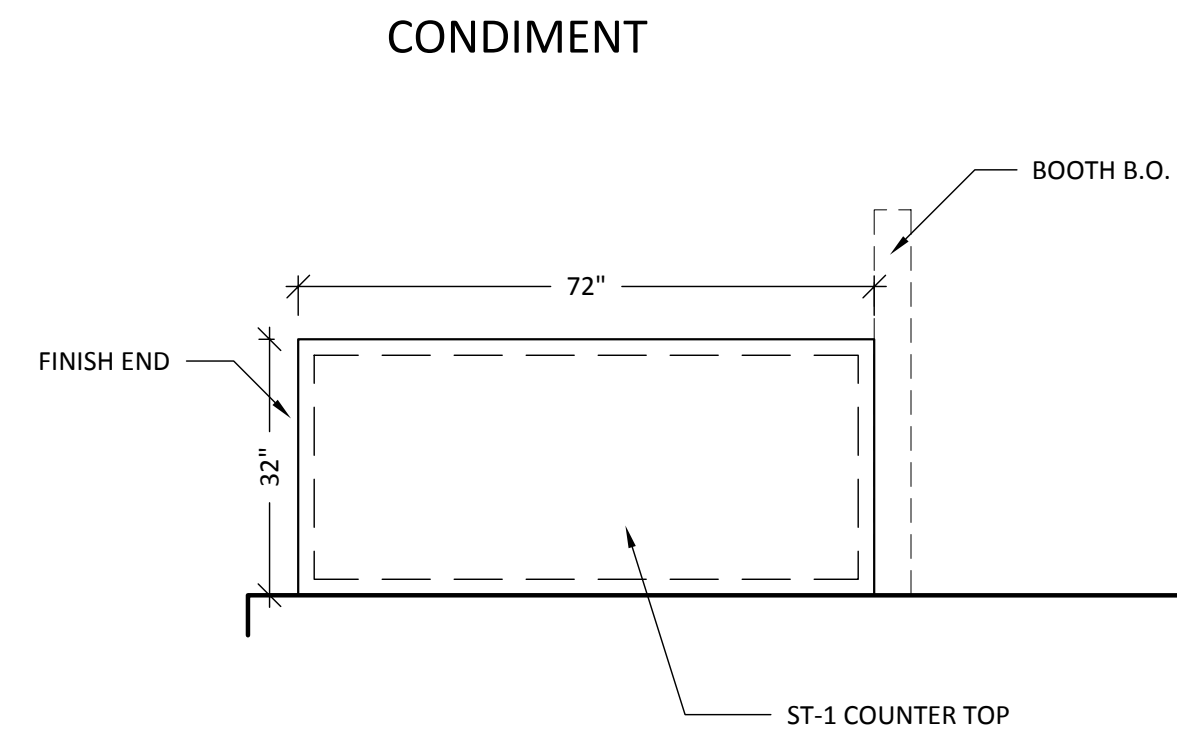
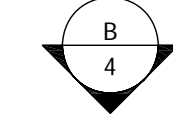
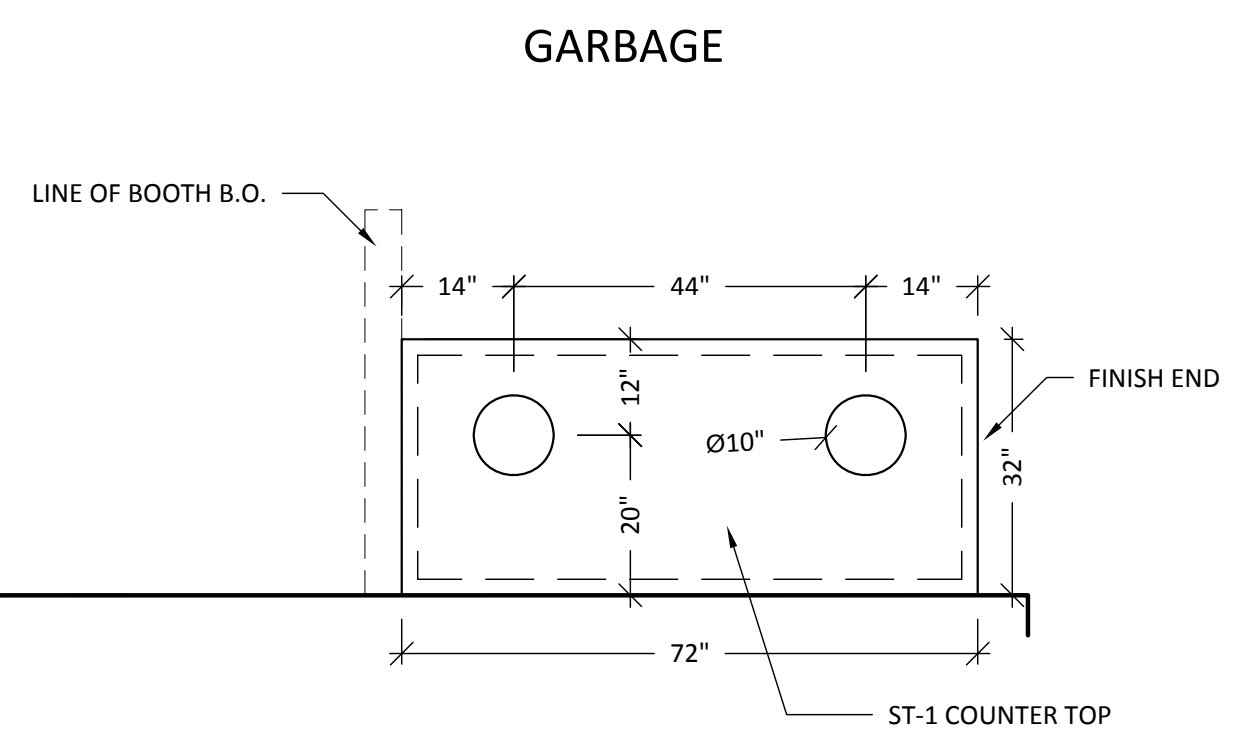
COYOTE JACKS

TOMATO HEAD REDS

FRESHEN ENERGY ZONE



2 PLAN VIEW  
Scale: 1/2" = 12"



GARBAGE

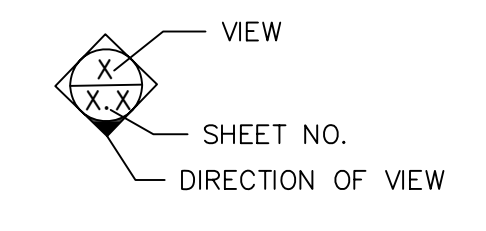
CONDIMENT

General Notes

SHOP NOTES:

**N&N** Architectural Drafting Service  
Computer Aided Design & Drafting/ CNC Programming

LEGEND:



Drawn by: Nemo K.

No.	Revision/Issue	Date

Project Name and Address:

THE CAGE  
NORTH CENTRAL COLLEGE  
NAPERVILLE, IL

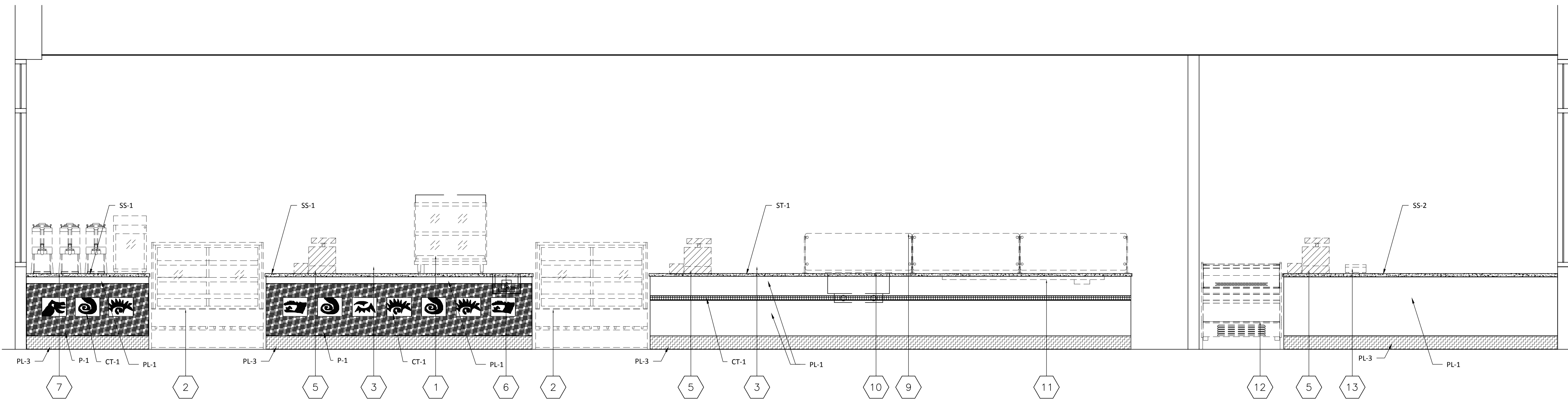
Project: North Central College

Date: 7.31.2008

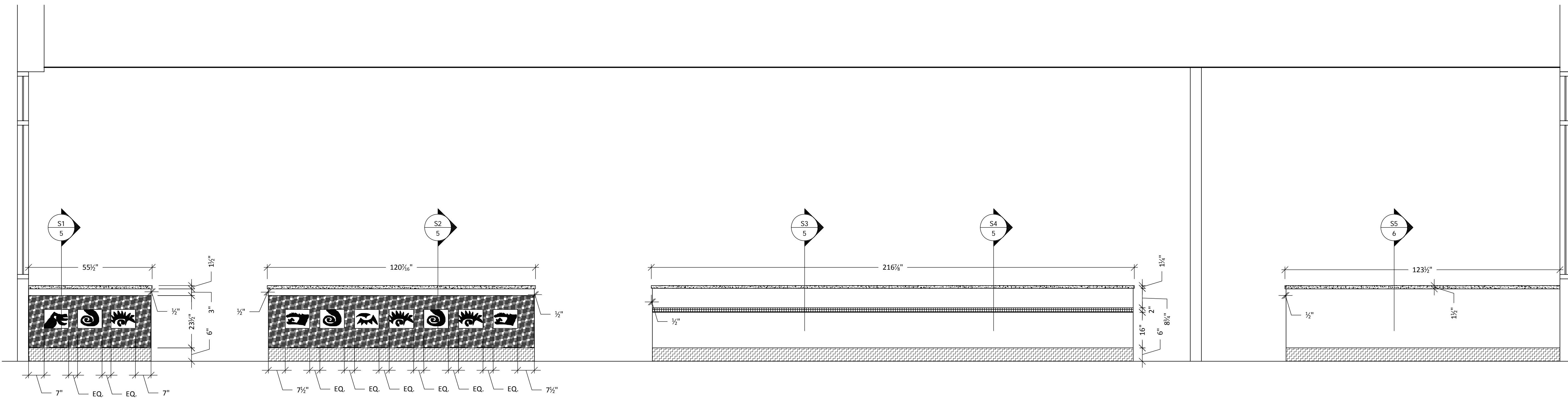
JOB # :

Sheet:

2



**A** ELEVATION W/ EQUIPMENT  
Scale: 1/2" = 12"



**A** ELEVATION  
Scale: 1/2" = 12"

General Notes  
SHOP NOTES:

**N&N** Architectural Drafting Service  
Computer Aided Design & Drafting/ CNC Programming

**LEGEND:**  
  
 — VIEW  
 — SHEET NO.  
 — DIRECTION OF VIEW

Drawn by: Nemo K.

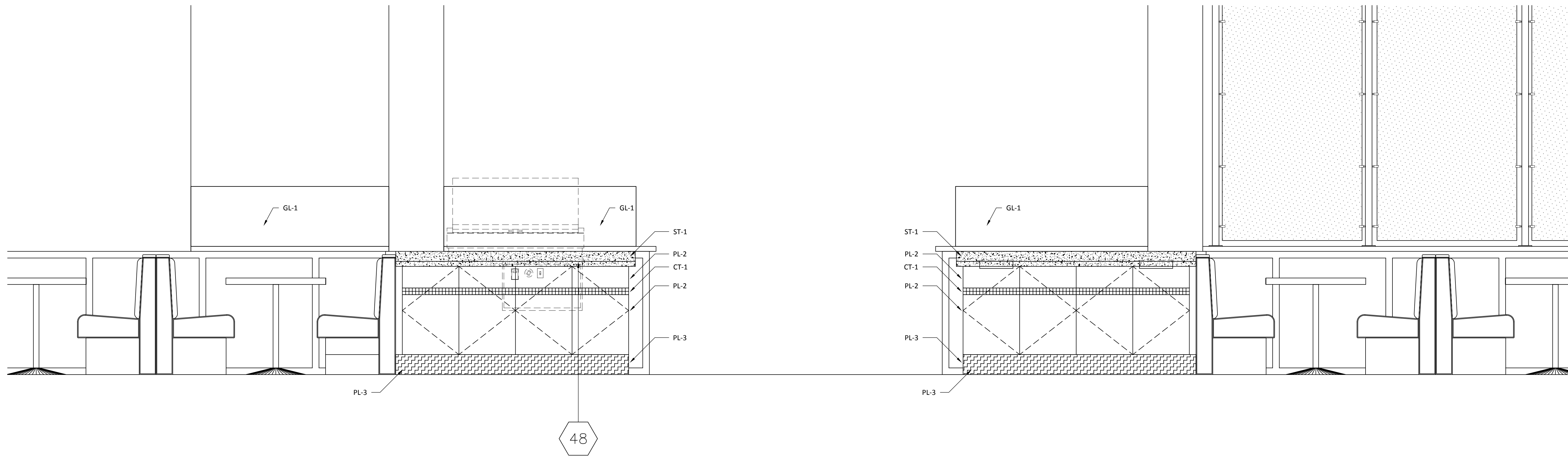
No.	Revision/Issue	Date

Project Name and Address:  
**THE CAGE**  
 NORTH CENTRAL COLLEGE  
 NAPERVILLE, IL

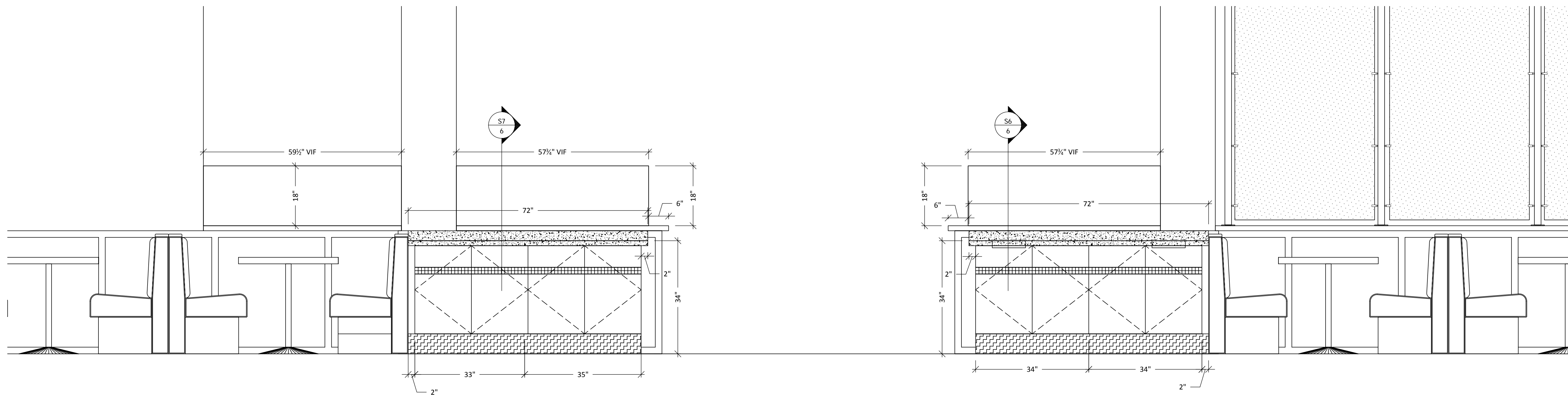
Project: North Central College  
 Date: 7.31.2008  
 JOB # :

Sheet:  
**3**





**B** ELEVATION W/ EQUIPMENT  
Scale: 3/4" = 12"



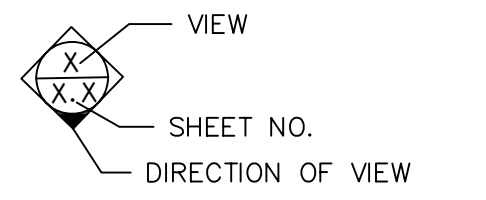
**B** ELEVATION  
Scale: 3/4" = 12"

General Notes

SHOP NOTES:

**N&N** Architectural Drafting Service  
Computer Aided Design & Drafting / CNC Programming

LEGEND:



Drawn by: Nemo K.

No.	Revision/Issue	Date

Project Name and Address:

THE CAGE  
NORTH CENTRAL COLLEGE  
NAPERVILLE, IL

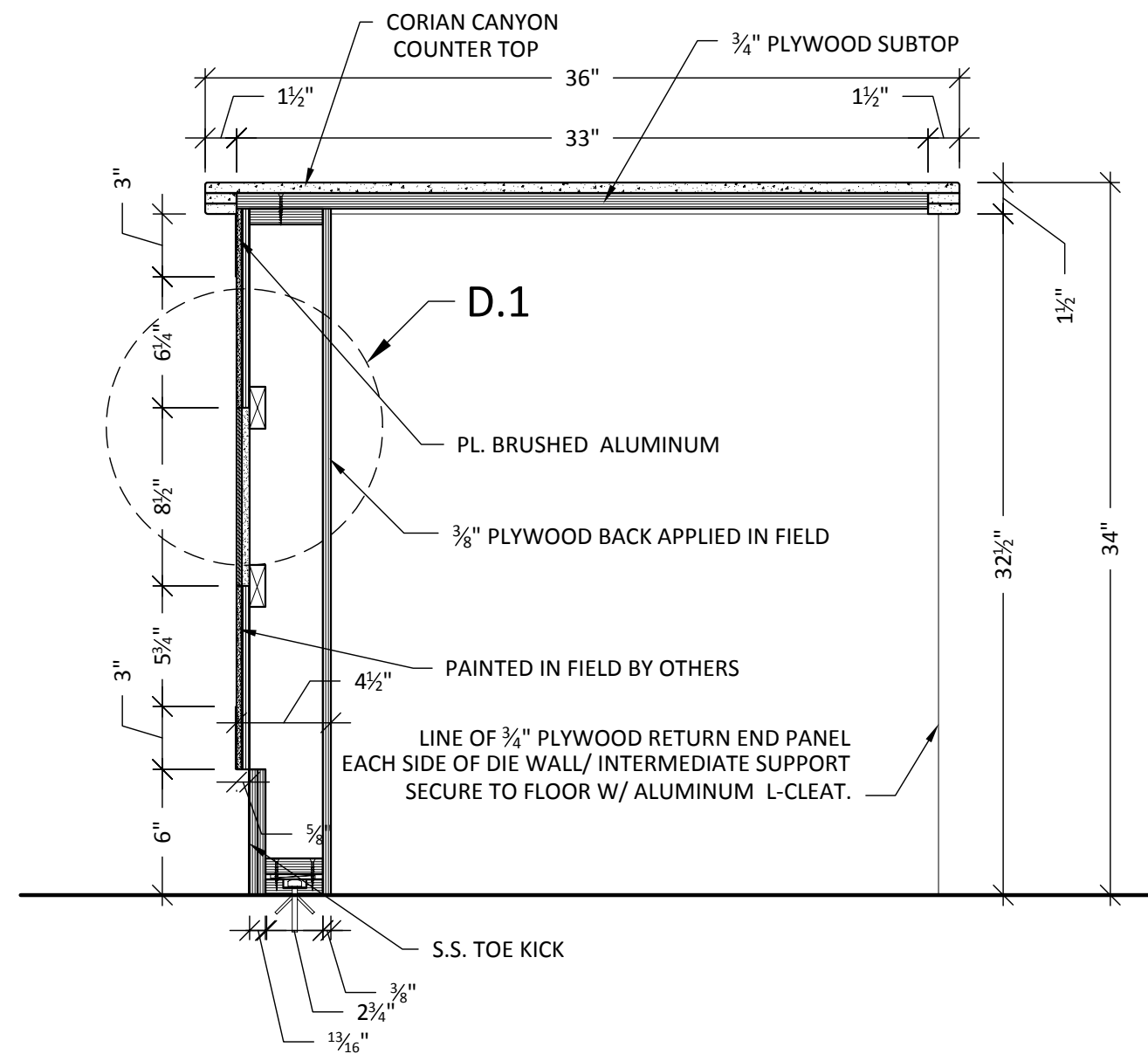
Project: North Central College

Date: 7.31.2008

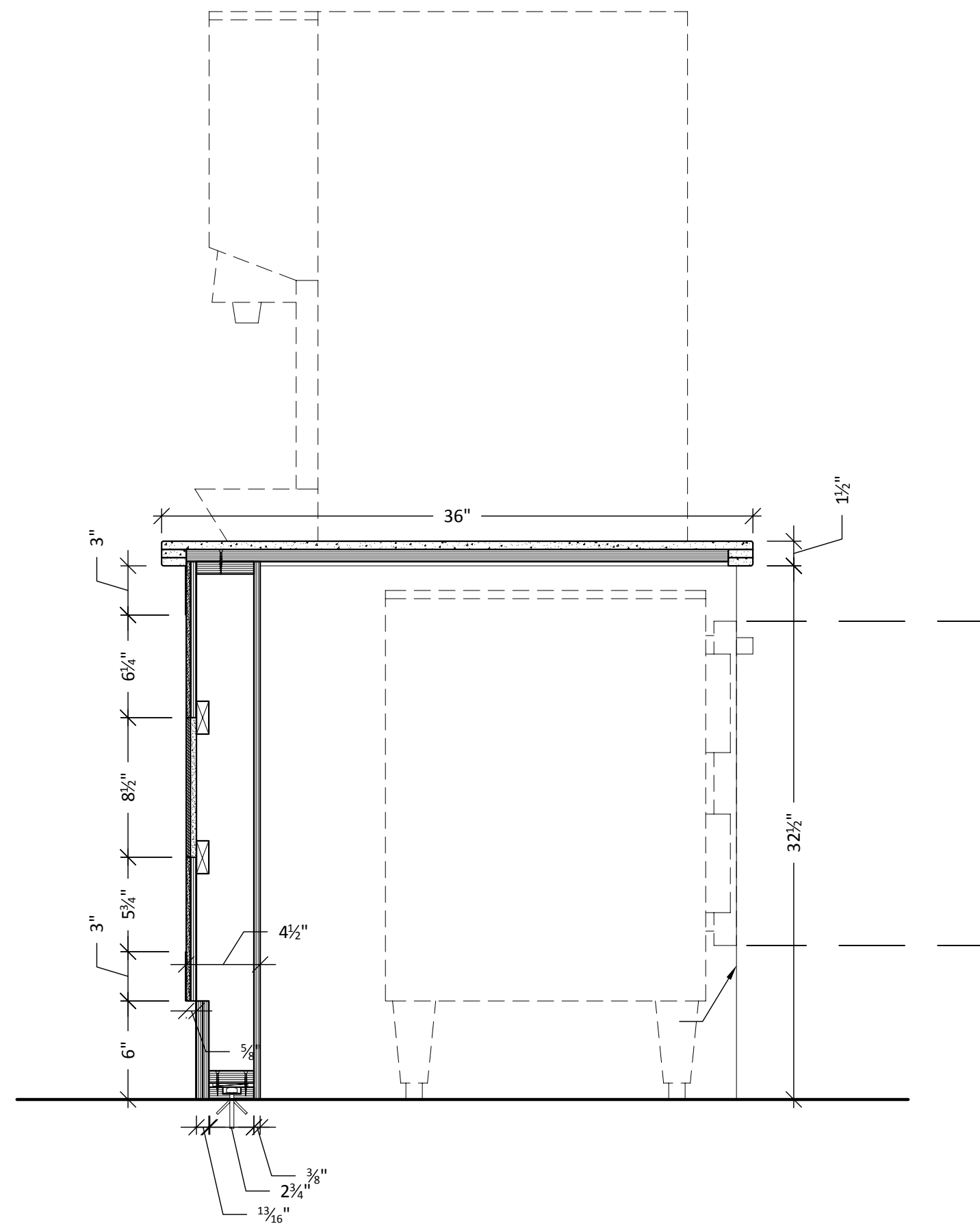
JOB # :

Sheet:

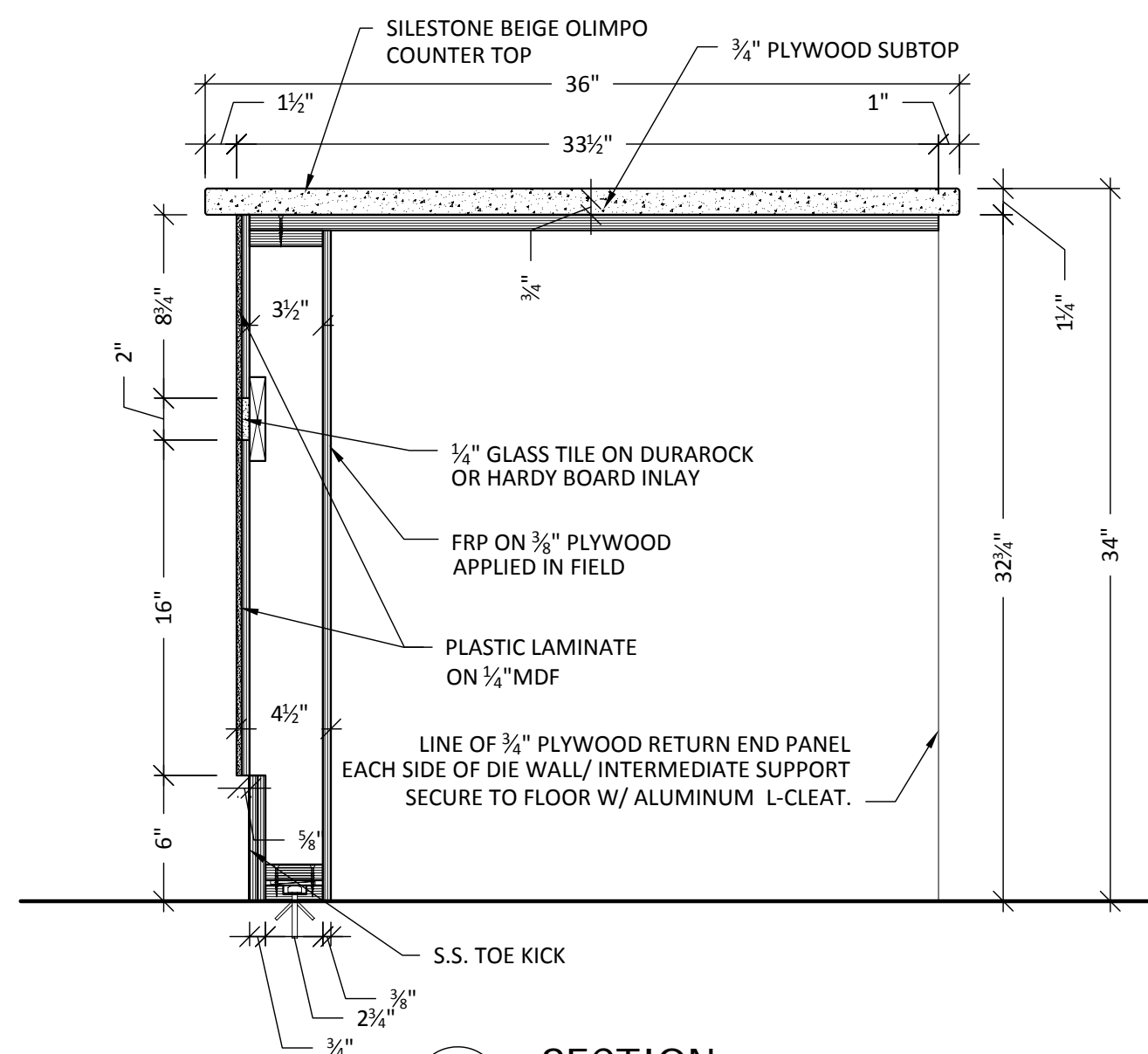
4



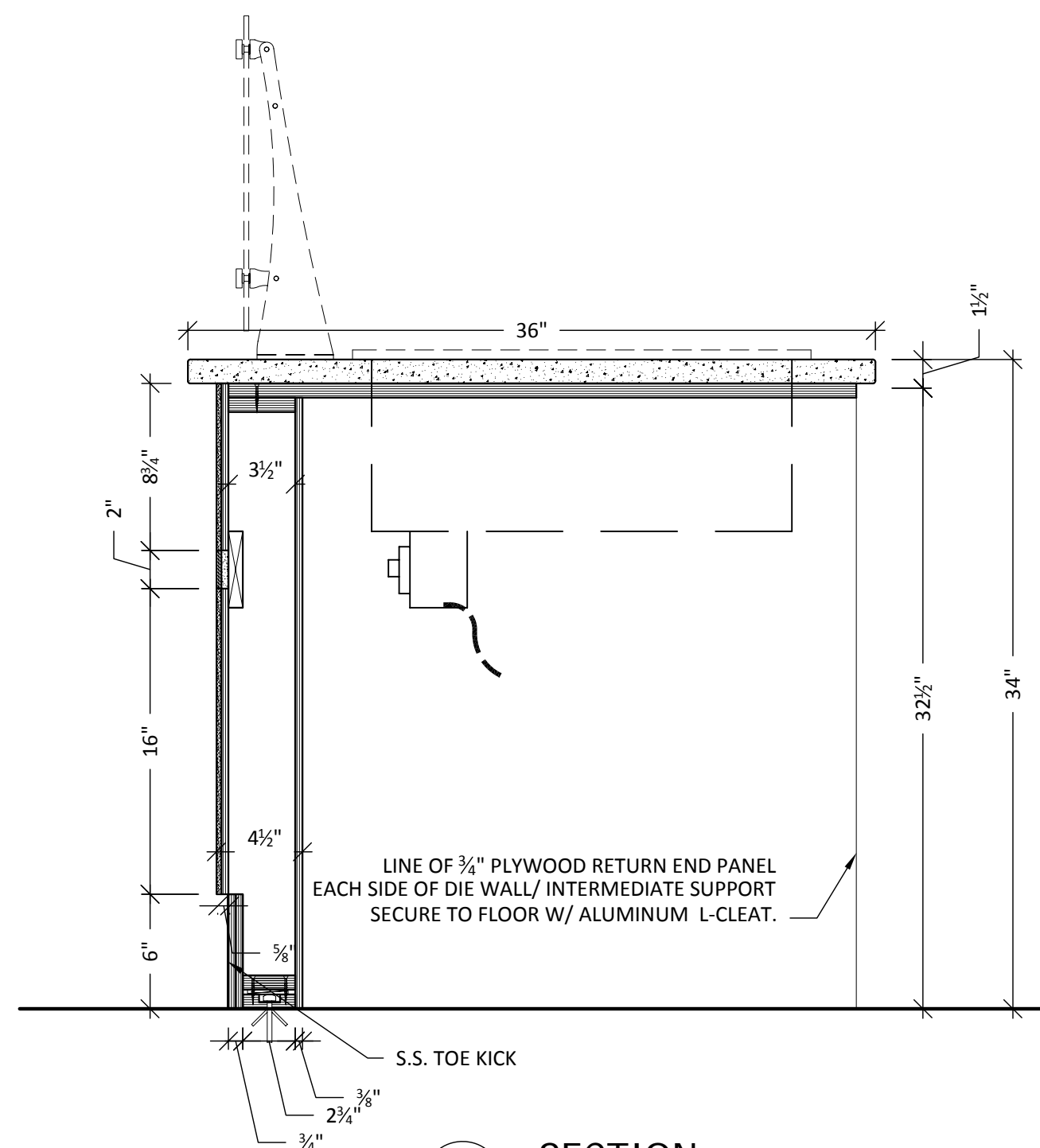
**S1 SECTION**  
Scale: 1 1/2" = 12"



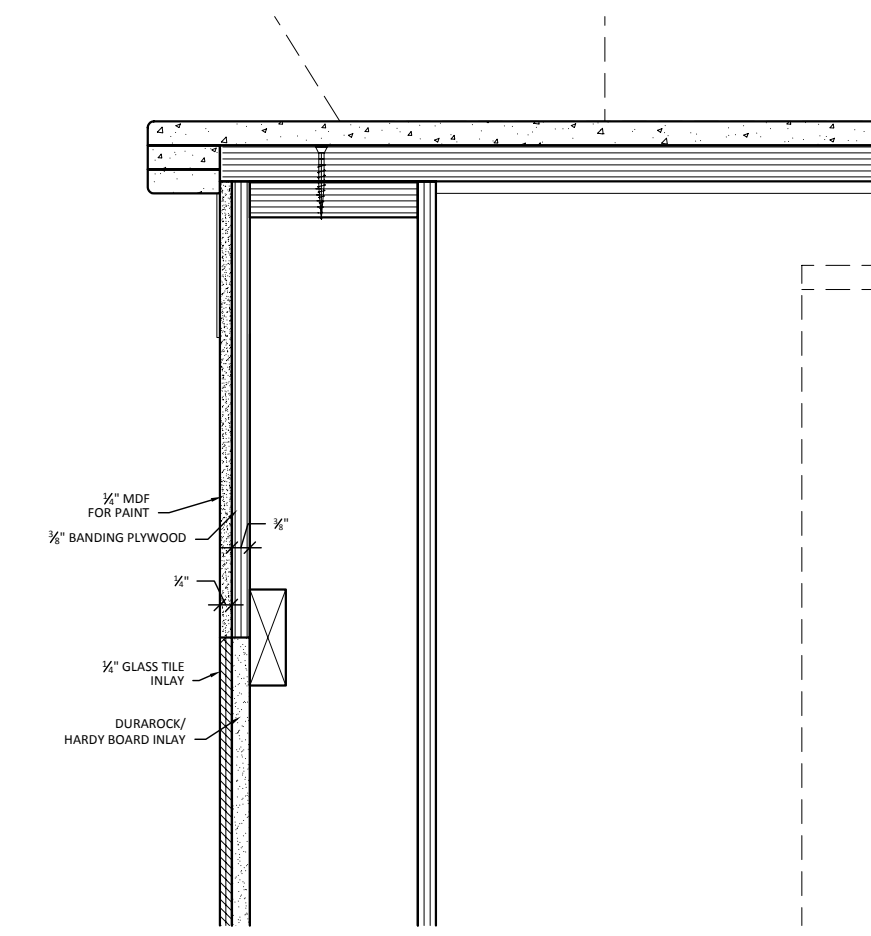
**S2 SECTION**  
Scale: 1 1/2" = 12"



**S3 SECTION**  
Scale: 1 1/2" = 12"



**S4 SECTION**  
Scale: 1 1/2" = 12"



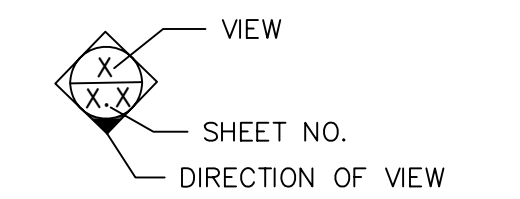
**D1 DETAIL**  
Scale: 3" = 12"

General Notes

SHOP NOTES:

**N&N Architectural Drafting Service**  
Computer Aided Design & Drafting/ CNC Programming

LEGEND:



Drawn by: Neno K.

No.	Revision/Issue	Date

Project Name and Address:

THE CAGE  
NORTH CENTRAL COLLEGE  
NAPERVILLE, IL

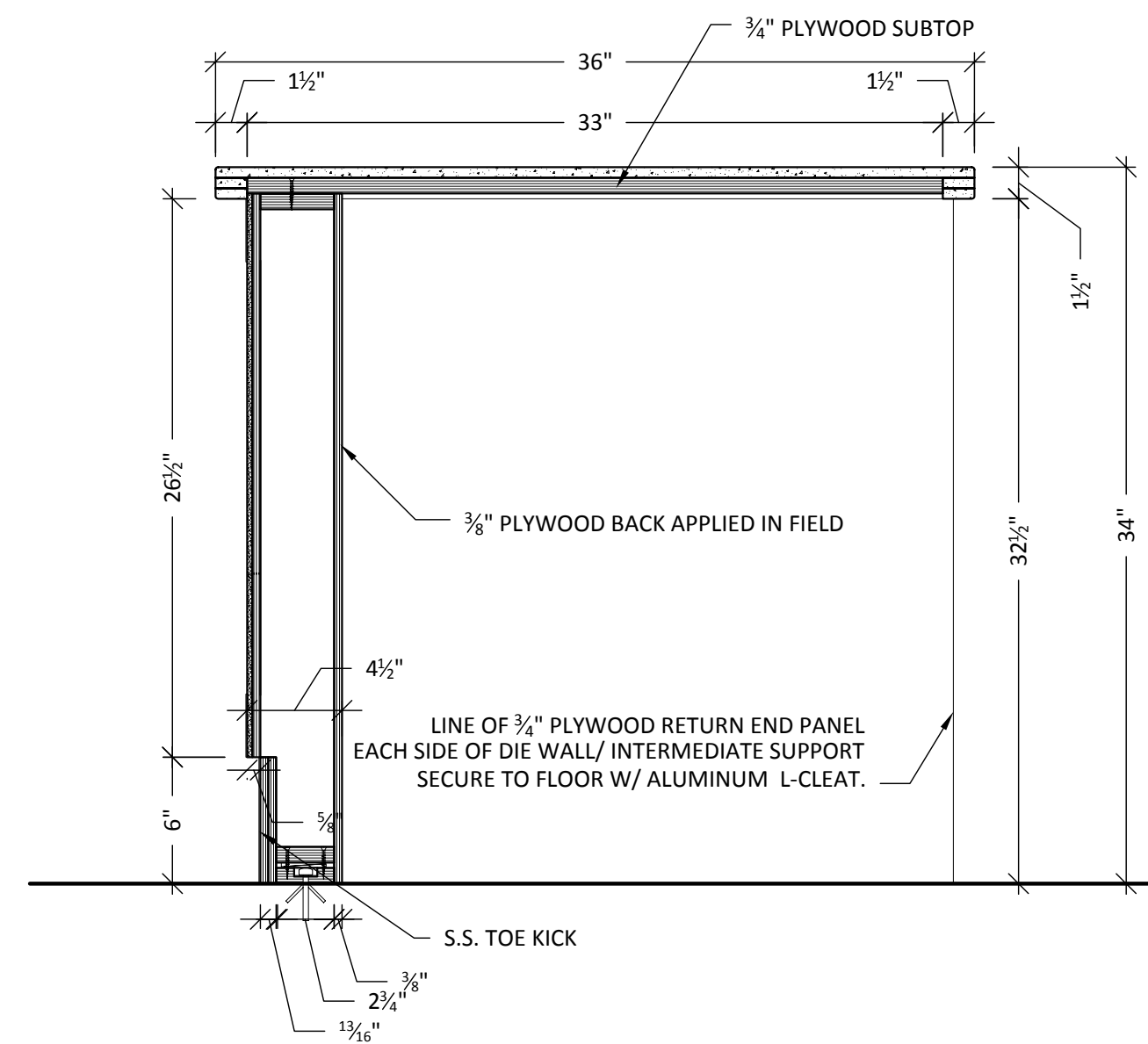
Project: North Central College

Date: 7.31.2008

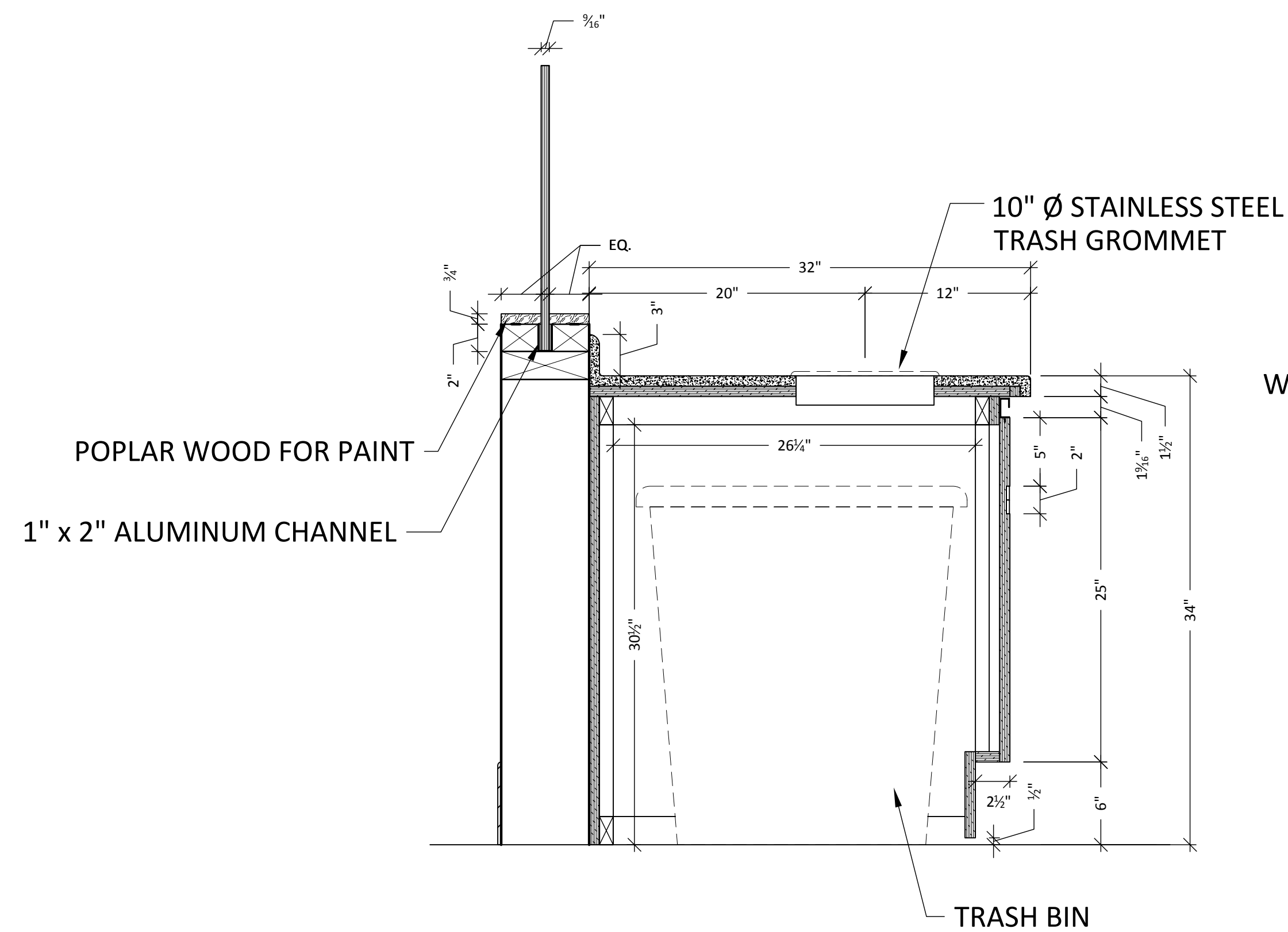
JOB # :

Sheet:

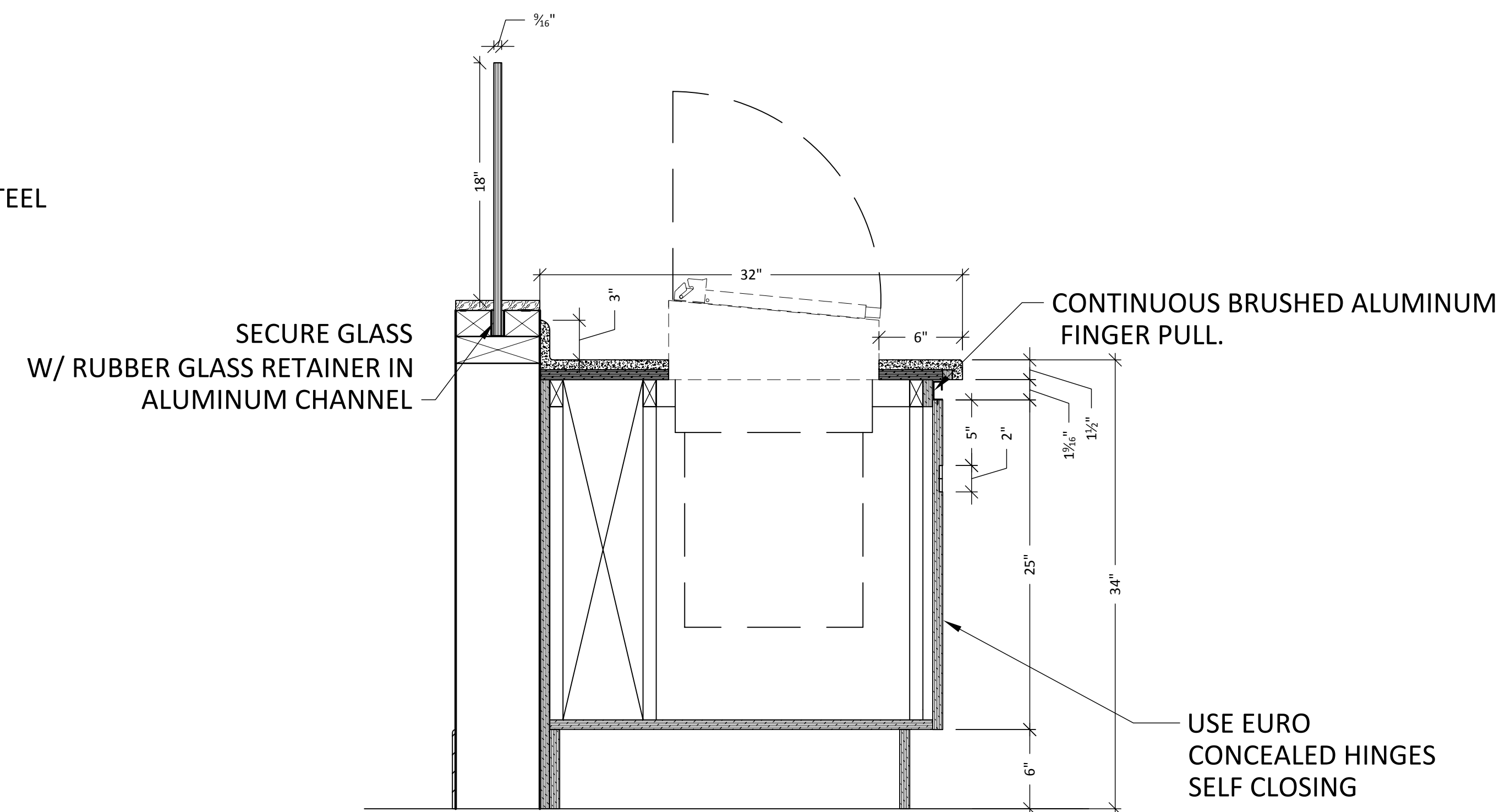
5



**S5 SECTION**  
Scale: 1 1/2" = 12"



**S6 SECTION**  
Scale: 1 1/2" = 12"



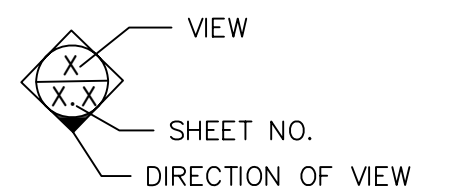
**S7 SECTION**  
Scale: 1 1/2" = 12"

General Notes

SHOP NOTES:

**N&N Architectural Drafting Service**  
Computer Aided Design & Drafting/ CNC Programming

LEGEND:



Drawn by: Neno K.

No.	Revision/Issue	Date

Project Name and Address:

THE CAGE  
NORTH CENTRAL COLLEGE  
NAPERVILLE, IL

Project: North Central College

Date: 7.31.2008

JOB # :

Sheet: 6



EQUIPMENT SCHEDULE				
ITEM NUMBER	QUANTITY	DESCRIPTION	REMARKS	DIMENSIONS
1	1	HEATED DISPLAY CASE		
2	2	BAKERY CASE		
3	2	SODA DISPENSER	BY OTHERS	
4	2	UNDERCOUNTER REFRIGERATOR		
5	2	CASH REGISTER	BY OTHERS	
6	1	DROP-IN HOT WELLS		12.5"dia. x 8.125"H
7	1	AIRPOT	BY OTHERS	
8	2	CUP DISPENSER		
9	2	SNEEZE GUARD		
10	1	DROP-IN HOT WELLS		22.25" x 28"
11	1	DROP-IN HEATED SHELF		60.75"W x 30.75"D
39	1	HEATED PRETZEL DISPLAY	EXISTING/RELOCATED	
40	1	CHEESE WARMER	EXISTING/RELOCATED	
48	1	REFRIGERATED SLOPE RAIL UNIT		

EQUIPMENT SCHEDULE				
ITEM NUMBER	QUANTITY	DESCRIPTION	REMARKS	DIMENSIONS
1x	1	PERFORMANCE SNACK MERCHANDISER	BY OTHERS	
4x	1	ACRYLIC CONE BOX	BY OTHERS	
5x	1	POS	BY OTHERS	
13x	1	PERFORMANCE SNACK SCALE		
14x	1	ADVANCE D1-1-168 DROP IN RINSE SINK		8"H x 18W x 18L
15x	1	(2) HAMILTON BEACH BLENDERS		
17x	1	DELFIELD 305 DROP IN ICE CHEST		21.25"W x 15.25"L x 13"H
18x	1	ATLAS WCMD-C-3FY DROP IN COLD PAN		19.875" x 39.25" x 9.75"
22x	1	CECILWARE 544 SYRUP PUMP CANISTER SET		
23x	1	CECILWARE 380 DRY TOPPING CANISTER SET		
24x	1	ELECTRO FREEZE SOFT SERVE MACHINE		

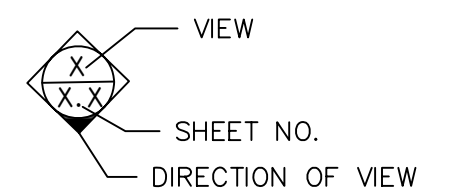
FINISH SCHEDULE			
COYOTE JACKS	TOMATO HEAD REDS	FRESHENS ENERGY ZONE	CONDIMENT/ GARBAGE
S.S.-1 CORIAN-CANYON	ST-1 SILESTONE BEIGE OLIMPO	S.S.-2 GRAY FIELDSTONE	ST-1 SILESTONE BEIGE OLIMPO
CT- TILE B.O.	CT- TILE BAND B.O.		CT- TILE BAND B.O.
PL-1 BRUSHED ALUMINUM	PL-2 PIONITE #WW801 SUEDE CINAMON NOCE	PL-2 PIONITE #WW801 SUEDE CINAMON NOCE	PL-2 PIONITE #WW801 SUEDE CINAMON NOCE
PL-3 STAINLESS STEEL (BRUSHED) TOE KICK	PL-3 STAINLESS STEEL (BRUSHED) TOE KICK	PL-3 STAINLESS STEEL (BRUSHED) TOE KICK	PL-3 STAINLESS STEEL (BRUSHED) TOE KICK
P-1 CRACKLE PAINT B.O.			GL-1 9/16" TEMPERED GLASS

General Notes

SHOP NOTES:

**N&N Architectural Drafting Service**  
 Computer Aided Design & Drafting/ CNC Programming

LEGEND:



Drawn by: Nemo K.

No.	Revision/Issue	Date

Project Name and Address:

THE CAGE  
NORTH CENTRAL COLLEGE  
NAPERVILLE, IL

Project: North Central College

Date: 7.31.2008

JOB # :

Sheet:

7